

NEW AND EASY WAYS TO ENTERTAIN THIS SEASON!

House Beautiful

DECORATING

with

passion.



**DRAB-TO-FAB
MAKEOVER**

**A FANTASY IN
VIVID COLOR**

**THE COMFORT
FACTOR...
DOG APPROVED!**

**LAKE HOUSE
LOVE STORY**

NOVEMBER 2014

\$4.00





BATH OF THE MONTH

Vintage Warmth

The room is new, but it feels as if it's been there forever—in the best way.

BACK IN THE 18TH CENTURY

when this Massachusetts farmhouse was built, there was no such thing as a master bath. So architect Michael T. Gray and interior designer Hattie Holland, both of Carpenter & MacNeille, carved one out of a hallway and added wainscoting and window casings to create a sense of the past. Painted a deep blue-gray, they stand out against the pale blue walls. The color “has a historic feeling with that gray cast and plays off the Carrara marble so well,” Holland says. In the center of the floor, a virtual rug made of marble in a basket-weave pattern adds another layer of detail to the room.

The cast-iron tub looks old but is actually new. “It’s a slipper tub, higher on each end, and that little swoop gives it a sense of elegance,” Holland says. “And the legs let you see the marble underneath, which makes a small space feel more open.” An antique leaded-glass window, found at a salvage yard, is set into the wall adjoining the water closet. It lets light into that room, making it feel less enclosed while still maintaining privacy. It’s another old-world touch that creates instant character. “The goal was to keep the farmhouse charm but make it more comfortable,” Holland says. “You can lean back against that great rollover on the tub’s rim and soak for hours.”

The Missy tub is paired with a floor-mounted tub filler in polished nickel, both by Sunrise Specialty. Carrara marble tile and basket-weave insert from Cumar. The walls are painted in Borrowed Light with trim in Parma Gray, both by Farrow & Ball. >>



Also stocked in Nickel Silver and Brushed Nickel finishes.

GET THE LOOK

1. TUB FILLER

By Michael S. Smith. For Town Bath Faucet Set with Handshower in Chrome. \$3,915. kallista.com

2. BATHTUB

Circe Cast Iron Claw Foot Bath-tub with Primed Exterior. \$6,798. kallista.com

3. TILE

Honed stone mosaic. Tribeca Basketweave. \$23 per sq. ft. walkerzanger.com

4. SCONCE

Bethesda 4081-PN in Polished Nickel. \$480. hudsonvalleylighting.com

5. PAINT

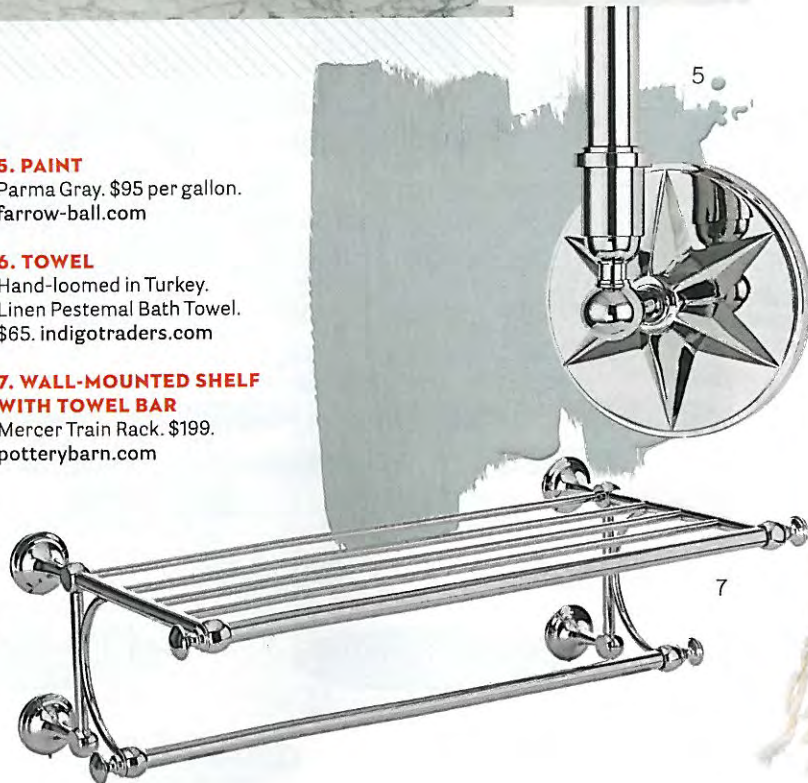
Parma Gray. \$95 per gallon. farrow-ball.com

6. TOWEL

Hand-loomed in Turkey. Linen Pestemal Bath Towel. \$65. indigotraders.com

7. WALL-MOUNTED SHELF WITH TOWEL BAR

Mercer Train Rack. \$199. potterybarn.com



6

5

4

3

1

2

7